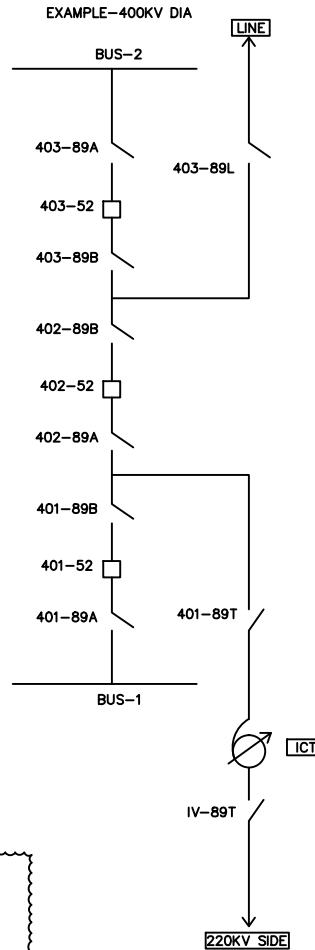
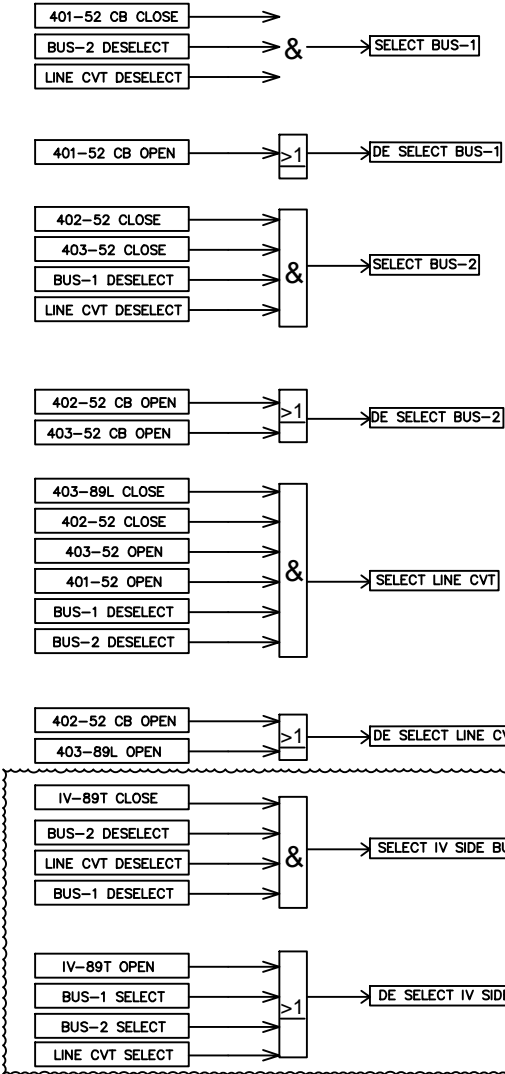


VT SELECTION LOGIC IN BCU- PROTECTION/METERING CIRCUIT

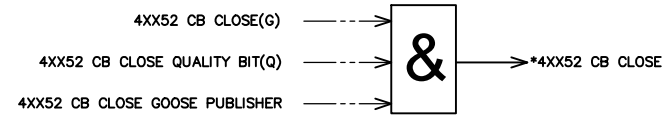
SWITCHGEAR/VT SELECTION RELAY STATUS TO BCU

COMMAND FROM BCU TO VT SELECTION RELAY

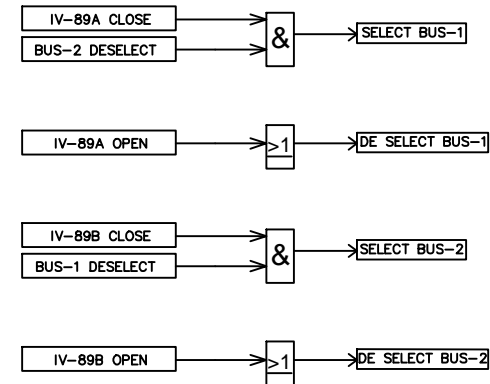


NOTE

1. ALL THE CB/ISOLATOR STATUS MUST BE DOUBLE POINT PROCESSED SIGNALS.
 2. (*) IF VIRTUAL INPUTS ARE UTILISED FOR SELECTION LOGIC THEN QUALITY & GOOSE PUBLISHER INPUTS MUST BE TAKEN FOR THE PROCESSING OF GOOSE SIGNALS.
- SAMPLE LOGIC FOR "4XX52 CB CLOSE" SIGNAL IS SHOWN BELOW.



220kV VT SELECTION FOR DM & DMT BUSBAR SCHEME - PROTECTION



SELECTED IV SIDE BUS VOLTAGE TO BE EXTENDED ONLY FOR METERING CIRCUIT